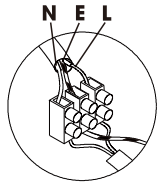


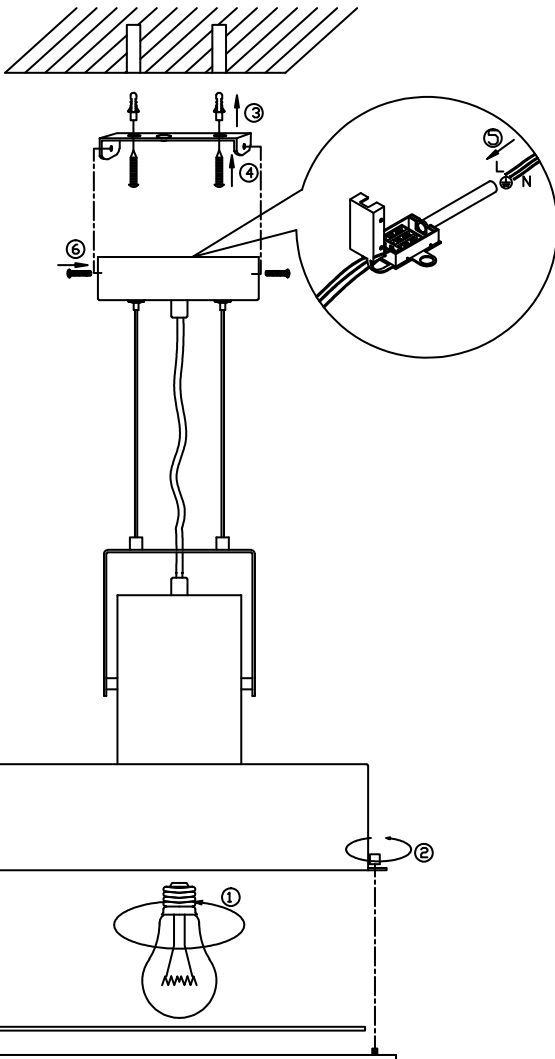


Please read instructions before commencing installation and retain for future reference.



#### Connecting the Terminal Block

Connect main supply (brown - live, blue - neutral, green/yellow - earth) into terminal block making sure all connections are tight.



#### SPECIFICATIONS:

- **Fitting:** Metal+PC
- **Lamp type:** E27 MAX 25W  
Lamps and gears excluded unless otherwise specified
- **Protection against electric shock:** CLASS I, . Requires earth connection.
- **Ingress Protection:** IP20. Protection against entry of solid objects greater than 12mm in diameter.
- **Quality/Corrosive rating:** QC21: Burning period: 12hrs/24hr cycle. Commercial use, indoor mainly - painted or plated metals. Not for use in corrosive environments.

#### INSTALLATION INSTRUCTIONS:

**⚠** Electrical products can cause death, injury, or damage to property. Installation of this product must be carried out by a qualified electrician.

- Ensure mains supply is switched off.
- Fit lamp (1) firmly into lampholder.
- Fix the glass with an iron ring(2)
- Insert masonry plugs (3) into mounting surface.  
Fit mounting bracket onto mounting surface with self-tapping
- screws (4).  
Connect main supply wires to terminal block (5) making sure all
- connections are tight.
- Fit ceiling cup onto mounting bracket with screws (6).
- Reconnect power.

#### WARNING:

- Not for outdoor use or in wet conditions.

